

## KE Sink Copper 18" x 18" – U/M



Kitchen Sinks

Code: 2156 868

PVD Copper  
AISI 304 Stainless steel  
Foster brushed  
Undermount



### DETAILS

<b>Series</b>	KE
Coloring	Copper
Finish	PVD
Material	AISI 304 stainless steel
Texture	Foster brushed
Edge/Installation Type	Undermount
Thickness	18 Gauge (1.2 mm)
Overall dimensions	17 <sup>5</sup> / <sub>16</sub> " x 17 <sup>5</sup> / <sub>16</sub> "

Bowl dimension 1 bowl 15 <sup>3</sup>/<sub>4</sub>" x 15 <sup>3</sup>/<sub>4</sub>"

---

Bowls depth 7 <sup>11</sup>/<sub>16</sub>"

---

Cut out 15 <sup>3</sup>/<sub>4</sub>" x 15 <sup>3</sup>/<sub>4</sub>"

---

Waste fitting type 3 <sup>1</sup>/<sub>2</sub>" - with stainless steel basket

---

Underside Protected with heavy duty undercoating

---

Fixing system Undermount fixing kit (brass insert and clips)

---

## FEATURES

**COPPER** The Copper finish is obtained by treating steel with a physical process called PVD (Physical Vacuum Deposition) which deposits particles of noble metals on the surface. The result is a unique and refined aesthetic effect, and an improvement of the mechanical properties of the steel which is more resistant to impact and scratches.

---

**Basket 3,5" waste fitting** The drain is equipped with a large 3.5" drain, with the practical basket cap that prevents the discharge of solid parts.

---

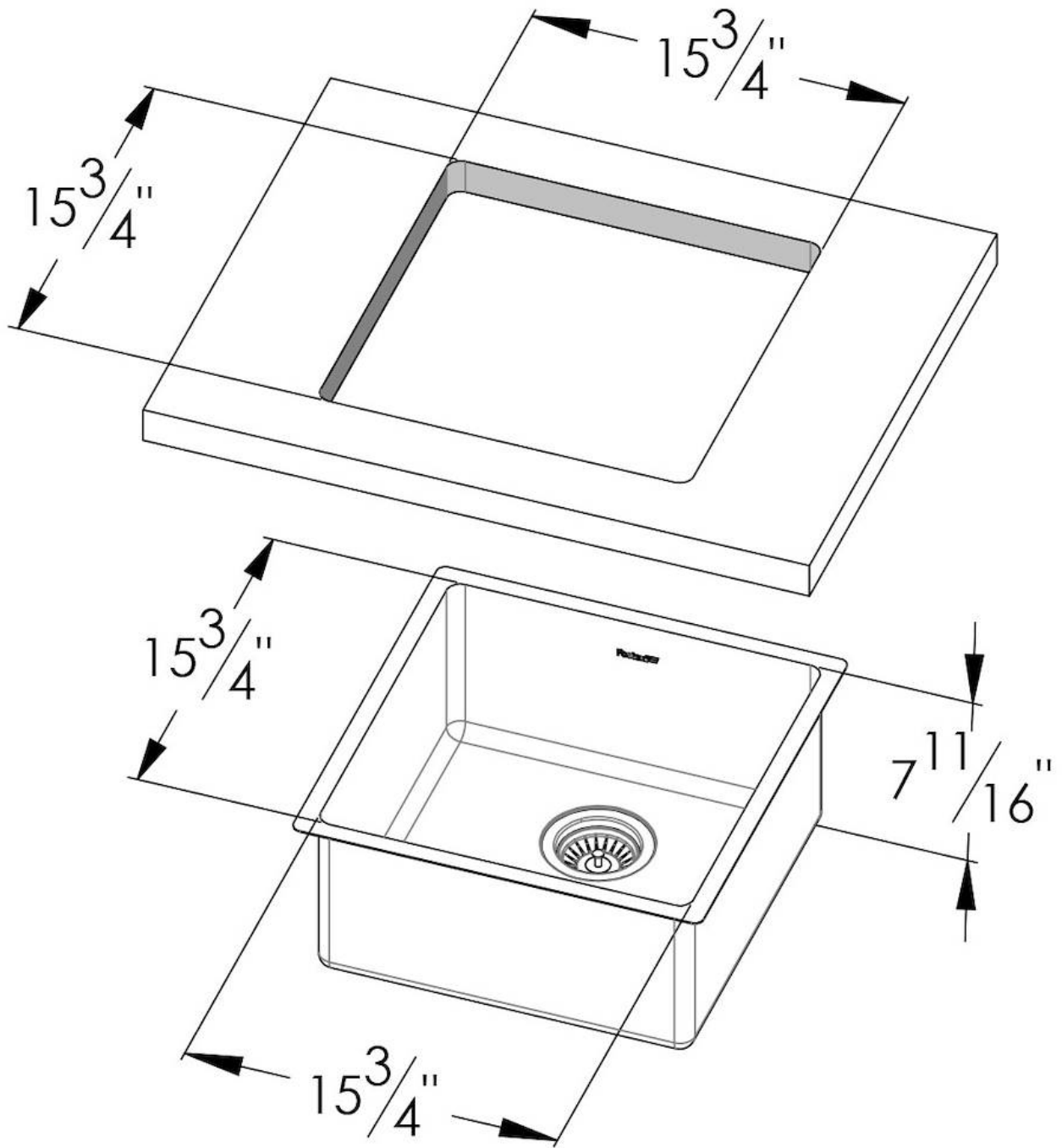
**High thickness 1.2** 1.2 mm thick steel. A significant thickness, which guarantees the maximum sturdiness and durability.

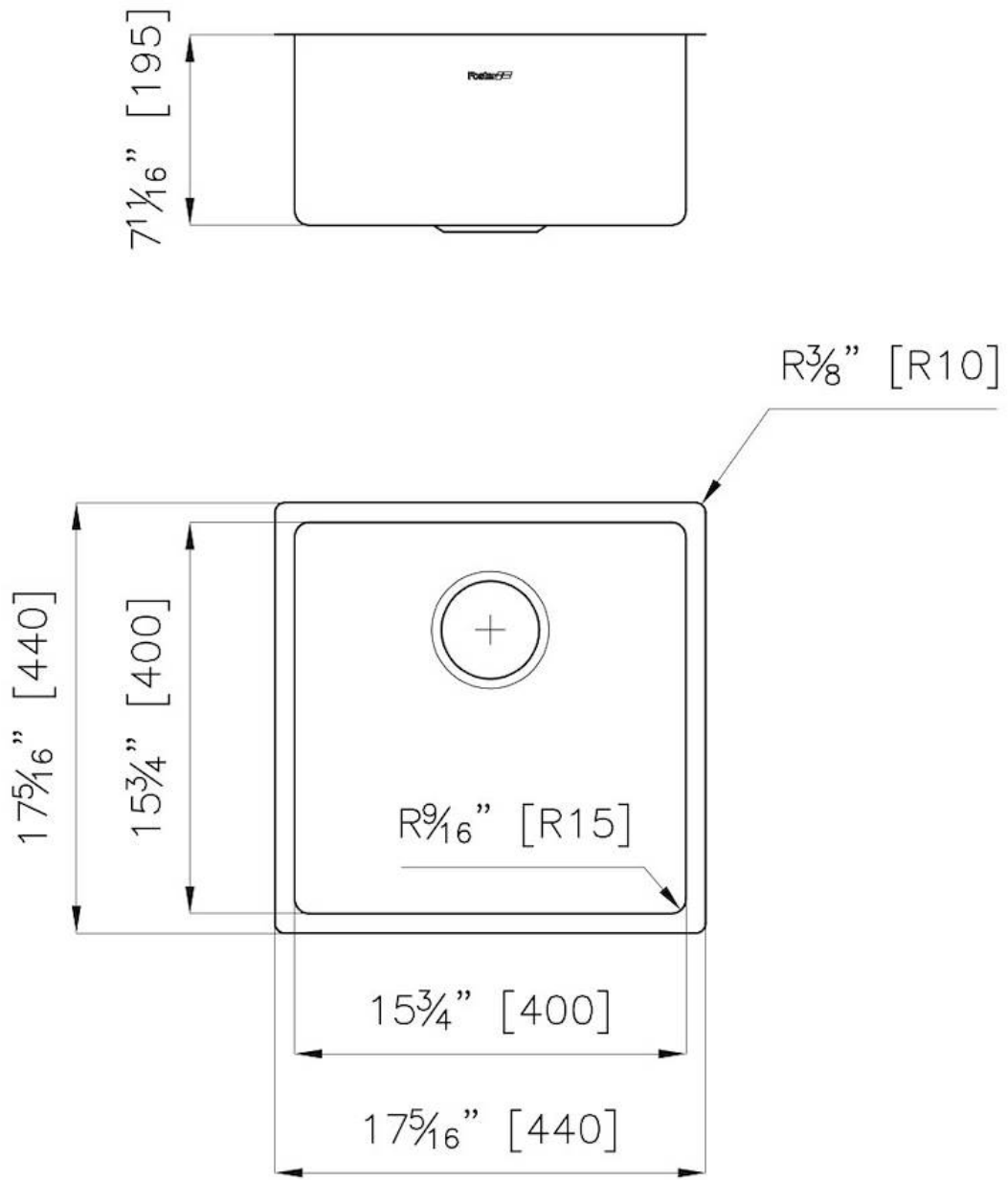
---

**Small radius** Bowls with squared shapes with a modern design and an increased capacity, for a minimal aesthetics connected with an extreme practicality.

---

## TECHNICAL DATA





## OPTIONAL ACCESSORIES



**Chopping Board**  
8631 300



**Grating kit complete with ring support and food collection tray**  
8159 101  
\* only in combination with the accessory  
8644 101



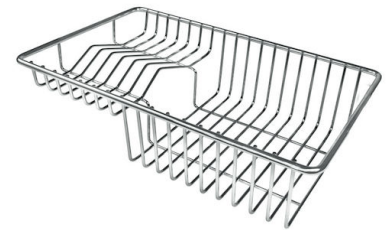
**HPDE Chopping board**  
8657 001



**HPDE Chopping board GREY**  
8657 002



**Iroko-wood sliding chopping board with stainless steel colander**  
8644 044



**Stainless Steel dishes holder**  
8100 303  
\* only in combination with the accessory  
8644 101



**Stainless steel perforated pan**  
8151 000  
\* only in combination with the accessory  
8644 101



**Twin Chopping Board**  
8644 101



**Waste disposer throat PVD Copper**  
8669 048



**White bowl**  
8153 100

## RECOMMENDED PAIRINGS



**Faucet Ponza**  
8497 025



**Milano Cooktop 4 burners inLine**  
7640 900